



# LED POWER SUPPLY DATASHEET

## SNP60-24VF(UE)

### ·DESCRIPTION

Wide input voltage, flat and slim design, helpful for furniture or cabinet lighting application, for Europe and US markets. SELV. Open circuit, short circuit, overload and over temperature protection. Compliance to ERP directive, lifetime 30,000hrs.



### ·Input

Items	Conditions	Request	Note
Input voltage	Ta	100-240Vac	--
Input frequency		50/60Hz	--
Input current	25°C, rated input voltage, output with max. rated power	< 0.80A	--
Input power		< 72W	--
Efficiency		≥ 87 %	--
Standby	25°C, rated input voltage, output without load	<0.5W	Average
Inrush current	25°C, rated input voltage	<75A	peak
PF	25°C, rated input voltage, output max. rated power	≥ 0.90	--

### ·Temperate and others

Item	Conditions	Request	Note
Operation temp.	--	-20-45°C	--
Relative humidity	--	45%-85%	--
Max. case temp.	--	90°C	--
Lifetime	Max. Ta, rated input voltage, output with max. rated power	30,000hr	--
Working noise	25°C, rated input voltage, output with rated power, mute box background noise < 35dB, pickup 10cm distance from products	yes	--

### ·Protection

Items	Conditions	Request	Note
Open circuit	Ta, rated input voltage, no load	--	--
Over load	Ta, 0.94-1.06 times of input voltage, 1.4 times of rated power	yes	--
Short circuit	Ta, 0.94-1.06 times of input voltage	yes	--
Over temperature	Ta, 0.94-1.06 times of input voltage, temperature detected pointed more than 115 degree	yes	--
Over voltage	Ta, 0.94-1.06 times of input voltage, output voltage is 1.3 times of rated one	yes	--
Auto recovery	Over load, short circuit revocation	yes	--
Latch off	Over voltage, over heat re-start after cut off	yes	--

### ·Output

Items	Conditions	Request	Note
Startup time	25°C, rated input voltage, output with max. rated power	<0.5S	--
Output voltage and precision	Ta, rated input voltage, output with rated power	24V±5%	--
Output current range	Ta, rated input voltage	0-2.5A	60W
Output voltage wave	25°C, rated input voltage, output with max. rated power	<240mV	Vp-p
Output overload	25°C, rated input voltage, output with 2 times LED load	yes	--
Output current and precision	Ta, rated input voltage, output with rated power	--	--
Open circuit voltage	Ta, rated input voltage, no load	--	--
Output current wave	25°C, rated input voltage, output with max. rated power	--	Ip-p
Dimming mode	--	--	--
Dimming range	--	--	--

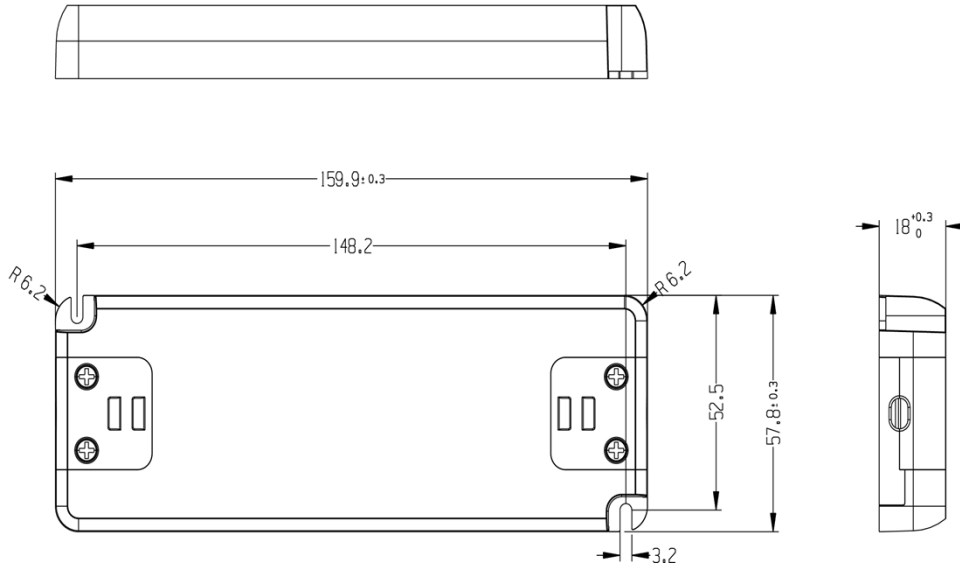
### ·Mechanical, mounting

Items	Conditions
Case material and size	Plastic 159.9*57.8*18mm
Mounting ways	Independent
Insulation type	Class 2, Class II
IP grade	IP20
Input cables dimension	18 AWG, H03VVH2-F 2x0.75mm <sup>2</sup>
Output cables dimension	18AWG, H03VVH2-F 2x0.75mm <sup>2</sup>
Output cables length	Max. 2000mm

### ·Standard

Items	Conditions
Safety	IEC61347-1, IEC61347-2-13, UL8750
Harmonic	IEC61000-3-2 Class C
EMI	IEC55015 FCC PART15 Class B
EMS	IEC61547

## ● Dimensions(mm)



## ● Wiring Diagram

